



# 72" CENTER MOUNT MOWER OPERATOR'S MANUAL

FORM NO. 46265(10-88)

PART NO. 46002

PRINTED IN USA

\$3.00

## NOTE

Read this manual carefully and learn to operate and service your 72" Rotary Mower before using it.

To keep the warranty, the 72" Rotary Mower must be maintained and operated as directed in this manual.

All references to "left-side", "right-side", "front" and "back" are given from the operator's position.

Use the serial numbers to ensure prompt and correct service when ordering parts, requesting service or making inquiries.

SERIAL NUMBER: \_\_\_\_\_



Look for this symbol to point out important safety precautions. It means -- ATTENTION! BECOME ALERT! YOUR SAFETY IS INVOLVED.

**NOTE**

**CONTENTS**

1. INSTRUCTIONS FOR SAFE OPERATION
2. OPERATING INSTRUCTIONS
3. SERVICE INSTRUCTIONS
4. STORAGE
5. PROBLEM SOLVING
6. ILLUSTRATED PARTS AND PARTS LISTS
7. SPECIFICATIONS
8. SET-UP INSTRUCTIONS
9. WARRANTY



## SECTION 1

### INSTRUCTIONS FOR SAFE OPERATION

Improper use of this equipment can injure people and damage the equipment. People using or servicing this equipment must read and follow the instructions in this manual.

It is important to understand that this manual and any other Gravely instruction manuals do not cover every possible danger. It is impossible for Gravely to know all possible dangers in operating and servicing the equipment.

The purchaser must give these instructions to the people operating and maintaining this equipment. These people must use eye and foot protection.

#### **1.1 Preparation:**

1. Read this manual and the tractor manual carefully.
2. Learn the location and function of all controls.
3. Learn how to use the controls to stop the wheels and mower quickly.
4. Use caution with gasoline. Gasoline is very flammable. Keep it in a clean and tight container away from flames or hot items. Never put gasoline in the fuel tank while the engine is running or hot. Clean up spilled gasoline before starting engine.
5. Be certain that all shield, guards, and interlock switches are in the correct positions.
6. Never permit children to operate the tractor and mower.
7. Inspect area to be mowed and remove all material which could be thrown by the mower.
8. Before starting the engine, put the PTO control lever in the "OFF" position and the gear shift lever in the neutral "N" position.
9. When hauling the equipment, connect the chassis to the transporting vehicle. Never connect from control levers, rods, or like items that could be damaged.
10. Replace all parts that become damaged or lost.

#### **1.2 Operation:**

1. Wear foot and eye protection. Do not wear loose clothing.
2. Do not use the equipment in the dark without adequate lighting.

10. Look for and keep away from hazards.
11. After hitting an object, stop the equipment and engine. Check for damage. Repair any damage before operating.
12. Look behind when operating in reverse. Look for people and hazards.
13. Operate only from the operator's position.
14. Travel up and down slopes, not across.
15. If there is a sudden change in the sound or vibration of the equipment, stop the engine and check for damage. Repair any damage or failure before continuing operation.
16. Never run the engine indoors except to move it outside. Exhaust fumes are dangerous.
17. Go slowly on slick surfaces.
18. Follow traffic laws when operating on or near a road.
19. Before making adjustments or servicing, move the PTO to "OFF", turn the ignition switch to "OFF" and wait until all moving parts completely stop.
20. Before leaving the operator's position, put the PTO lever in the "OFF" position and turn the ignition key to the "OFF" position. Lock the brake lock. Wait until all moving parts have stopped.


## SECTION 2

### OPERATING INSTRUCTIONS

## SECTION 2

OPERATING INSTRUCTIONS: MOWING WITH THE HYDRAULIC CONTROL IN THE FLOAT POSITION.

- 2.1 Transport the equipment to the area to be mowed.
- 2.2 Inspect the area to be mowed and remove all material which could be thrown by the mower.
- 2.3 Plan the pattern for cutting the grass. Generally an area is mowed around the periphery towards the center by discharging the grass toward the center on the first pass. The remainder of the mowing is done discharging the grass outward in the area which has been cut.
- 2.4 See Section 7 for the schedule of heights of cut. Set the mower for the height of cut desired.
- 2.5 See the tractor manual for correct operation of the PTO. Start the engine and put the PTO control in the "ON" position. Move the throttle control to the "FAST" position.
- 2.6 Select a slow gear. Engage the forward clutch. Control the ground speed by selecting the desired gear.

 **CAUTION:** Do not shift the transmission gears while the tractor is moving.



## SECTION 3

### SERVICE INSTRUCTIONS

#### 3.1 Lubrication:

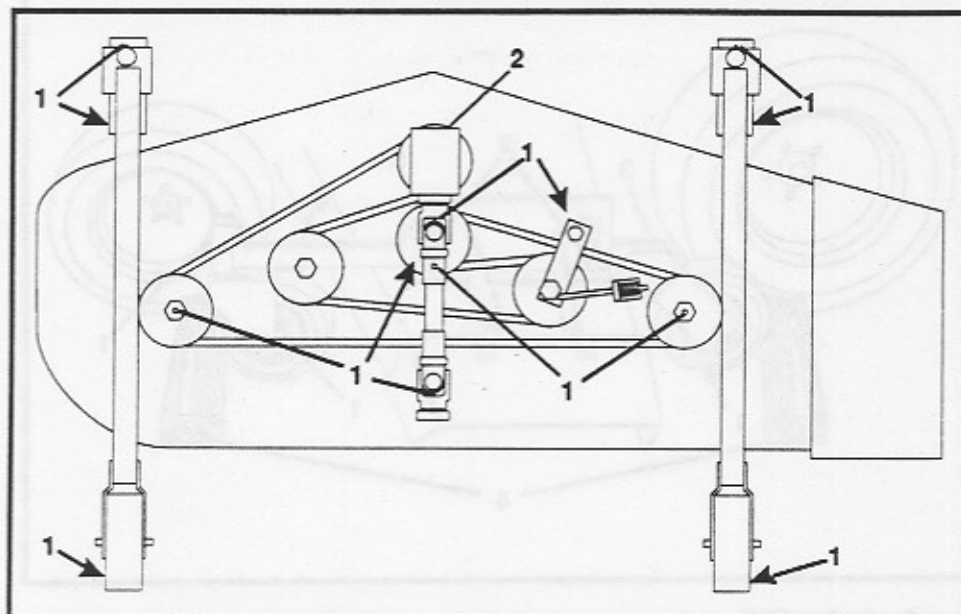
1. See Figures 1, 2 and 3. Every eight hours of operation apply multi-purpose grease to the lube fittings on:
  - a. Each spindle (3)
  - b. Each gauge wheel (4)
  - c. Drive shaft (3)
  - d. Each caster fork (2)
  - e. The idler pivot weldment (1)
2. Gear Box: Once a year or every 200 hours of operation, check the lubricant by removing the check level plug. If oil is needed, clean the top of the gear box, remove the fill plug and add oil until it runs out of the check plug. Put the check plug and fill plug back in the holes from which they were removed.

#### 3.2 Blade Service:

1. Every ten hours of operation or when the cut is poor visually, check the blades for sharpness.
2. Remove the mower from the tractor. See Sections 3.6 and 3.7.
3. Turn the mower upside down or lift the front of the mower with a hoist or floor jack.
4. Block the blades and remove the nuts and flat washers from the spindle.
5. Sharpen and balance the blade.
6. Reverse the removal process to install the blades on mower and the mower on the tractor.
7. Replace the blades when over 1/2" has been removed or the blade cannot be balanced.

#### 3.3 Height of Cut Adjustment:

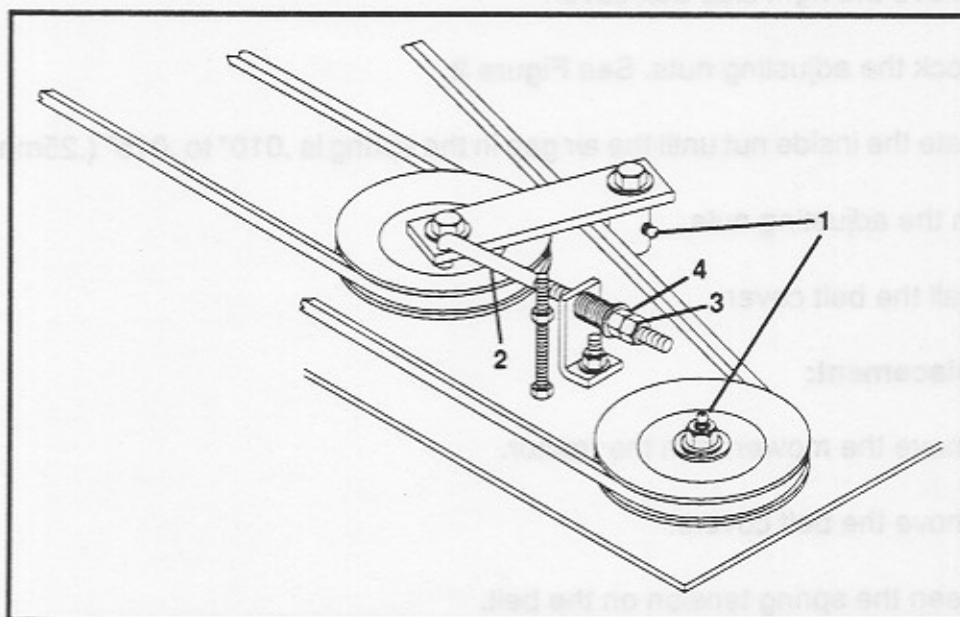
Lift the mower to the transport position. Remove the bolts in the caster wheel support weldment. Move the caster wheel support weldment to the holes which correspond to the desired height position and reinstall the retaining bolts. See Figure 3.



1 - Lube Fittings

2 - Gear Box

FIGURE 1



1 - Lube Fittings

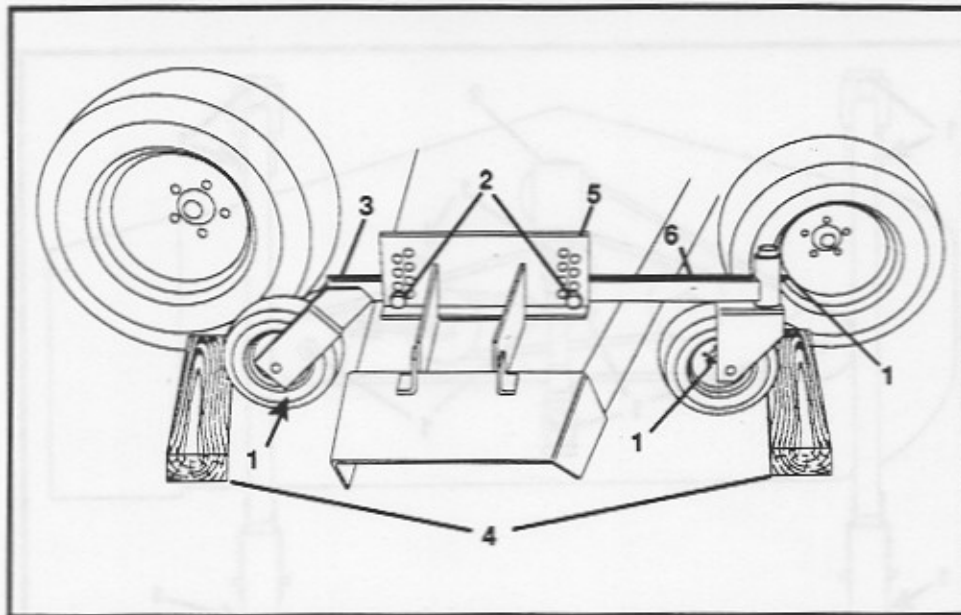
2 - Idler Rod

3 - Jam Nut

4 - Adjusting Nut

FIGURE 2





- |                                    |                     |
|------------------------------------|---------------------|
| 1 - Lube Fittings                  | 4 - Blocks          |
| 2 - Height Of Cut Adjustment Bolts | 5 - Hanger Assembly |
| 3 - Caster Wheel Support Weldment  | 6 - Trim Line       |

FIGURE 3

### 3.4 Belt Adjustment:

1. Remove the right side belt cover.
2. Unlock the adjusting nuts. See Figure 2.
3. Rotate the inside nut until the air gap in the spring is .010" to .015" (.25mm to .38mm).
4. Jam the adjusting nuts.
5. Install the belt cover.

### 3.5 Belt Replacement:

1. Remove the mower from the tractor.
2. Remove the belt covers.
3. Loosen the spring tension on the belt.
4. Remove the gear housing support.
5. Remove the belt. (It may be necessary to move the caster wheel support weldments.)
6. Put the new belt in position on the sheaves. See Diagram 1.

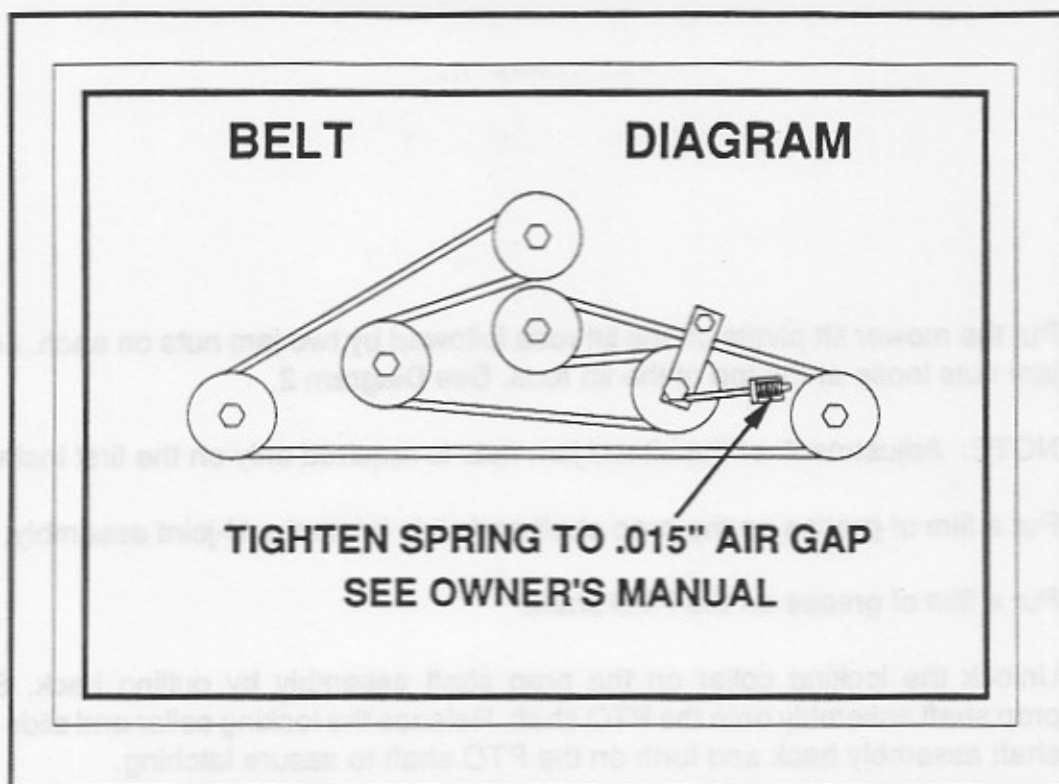


DIAGRAM 1

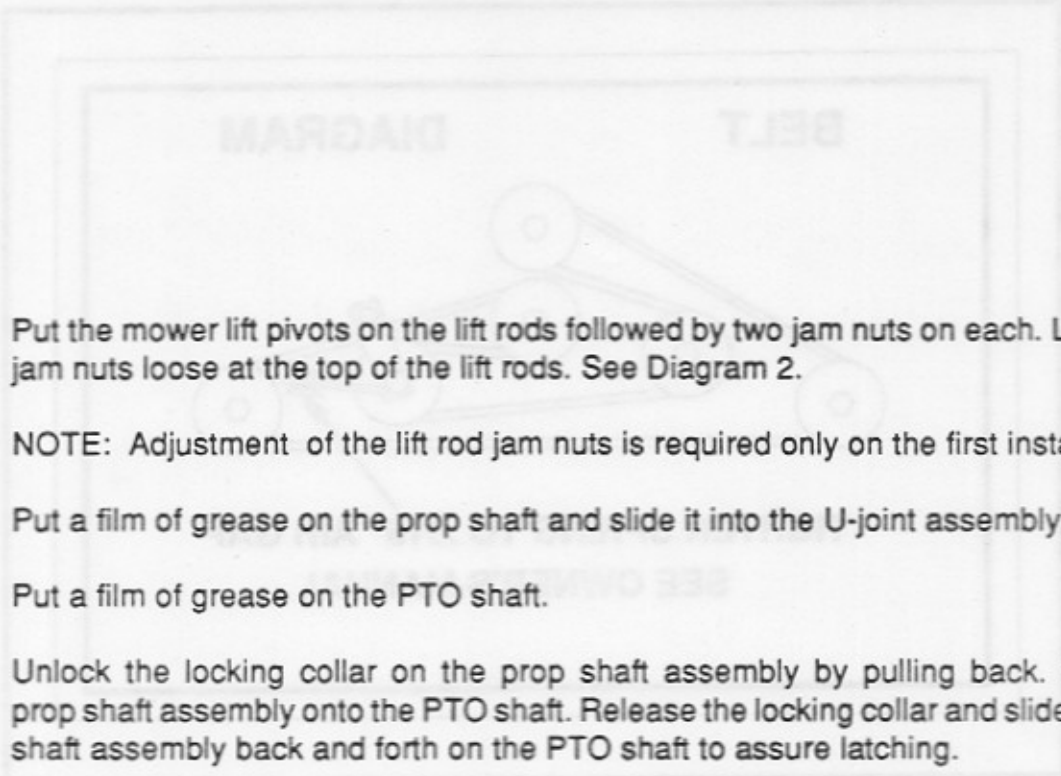
7. Mount the gear housing support.

**NOTE:** When installing the gearbox support, make sure that the belt is around the drive pulley.

8. Adjust the belt tension. See Section 3.4.
9. Replace the belt covers.
10. Mount the mower on the tractor.

### 3.6 Mower Installation:

1. Position the mower in front of the tractor and block to keep it from rolling.
2. Get assistance, lift and roll the front of the tractor over the mower, taking care not to damage the belt covers. See Figure 3.
3. Align the mower pivot arm weldment with the tractor latch plates. Guide the pivot arm weldment into the latch plates and latch.
4. Put the mower pivot keepers, followed by a flat washer and hairpin cotter on the shaft on each side of the mower pivot arm weldment.

- 
5. Put the mower lift pivots on the lift rods followed by two jam nuts on each. Leave the jam nuts loose at the top of the lift rods. See Diagram 2.

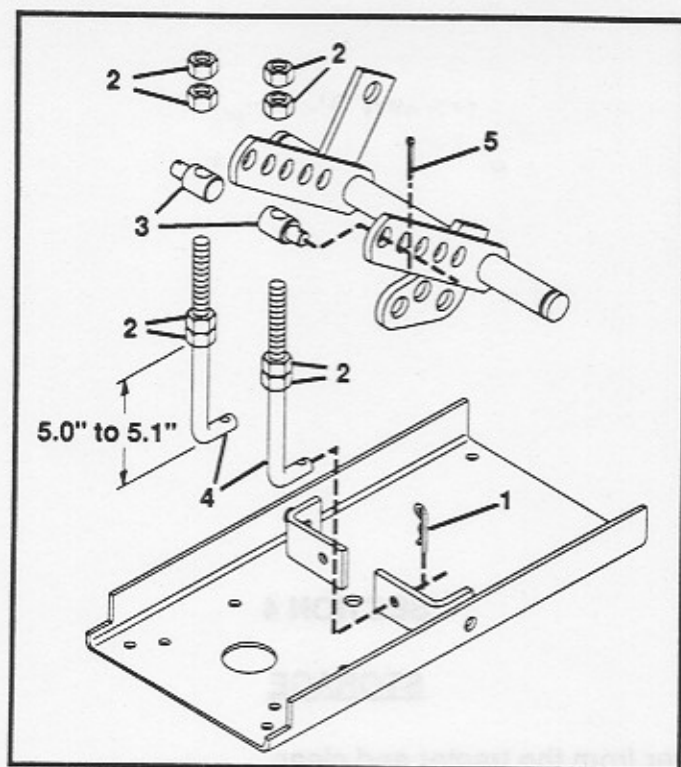
NOTE: Adjustment of the lift rod jam nuts is required only on the first installation.

6. Put a film of grease on the prop shaft and slide it into the U-joint assembly.
7. Put a film of grease on the PTO shaft.
8. Unlock the locking collar on the prop shaft assembly by pulling back. Slide the prop shaft assembly onto the PTO shaft. Release the locking collar and slide the prop shaft assembly back and forth on the PTO shaft to assure latching.
9. Put the mower in the lowest cutting position. Lower the attachment lift. Connect the lift rods to the mower and the tractor lift. See Diagram 2.
10. Move the top pair of jam nuts down on each lift rod until there is approximately 1/8 inches clearance. Jam the top pair of jam nuts on each lift rod.

NOTE: Adjustment of the lift rod jam nuts is required only on the first installation.

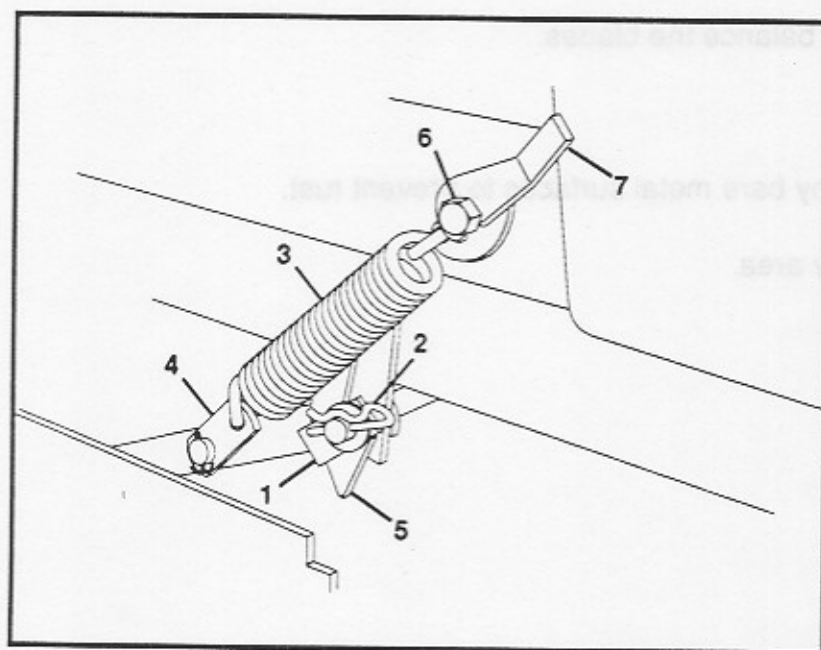
11. Lift the mower to the transport position with the attachment lift. Hook the springs to the spring tabs. Pull the latches over the latch pins and lock. See Figure 4.
12. Move the caster wheel support to match the desired height of cut.
13. To remove the mower, reverse the installation procedure.

NOTE: If the mower is not level in the raised position, adjust by shortening the rod on the low side or lengthening the rod on the high side.



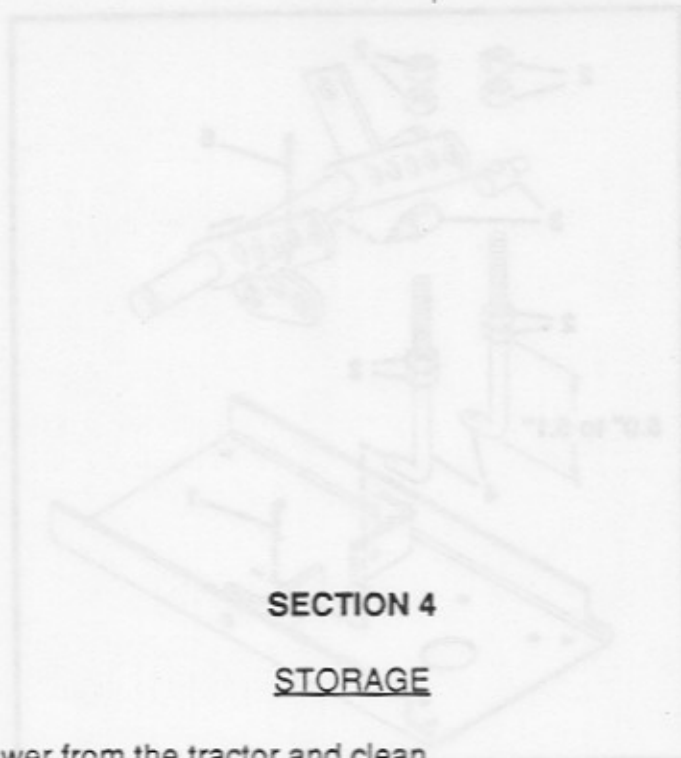
- 1 - Hair Pin Cotter      4 - Lift Rod  
 2 - Jam Nuts            5 - Cotter Pin  
 3 - Mower Lift Pivot

DIAGRAM 2



- 1 - Mower Pivot Keeper      5 - Latch Plate  
 2 - Hair Pin Cotter          6 - Latch Pin  
 3 - Extension Spring        7 - Latch  
 4 - Strap

FIGURE 4



4.1 Remove the mower from the tractor and clean.

NOTE: Do not use harsh or abrasive cleaners on any painted surface. Do not allow gasoline or oil to remain on any silk screened surface.

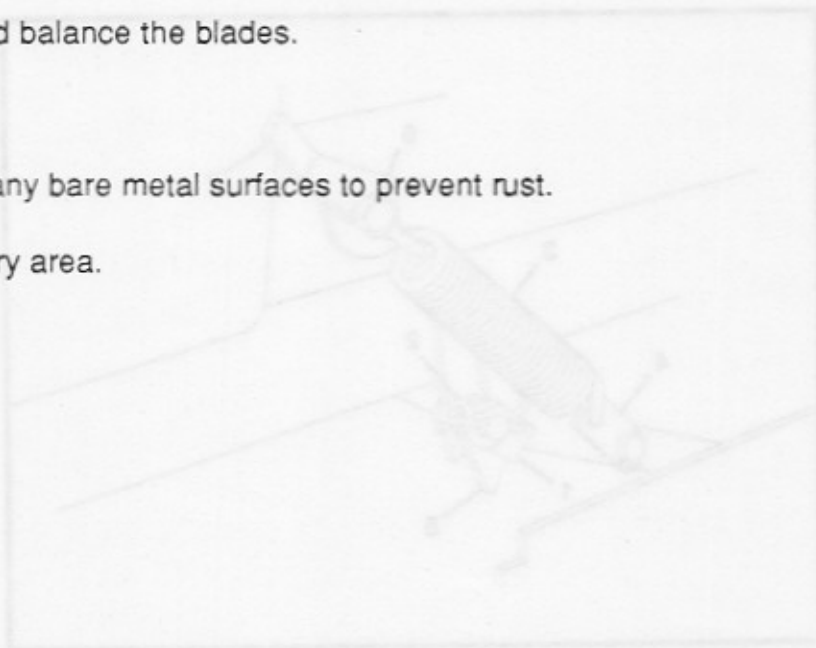
4.2 Inspect for damage, wear, loose or missing hardware. Repair as needed.

4.3 Sharpen and balance the blades.

4.4 Lubricate.

4.5 Paint or oil any bare metal surfaces to prevent rust.

4.6 Place in a dry area.





SECTION 5

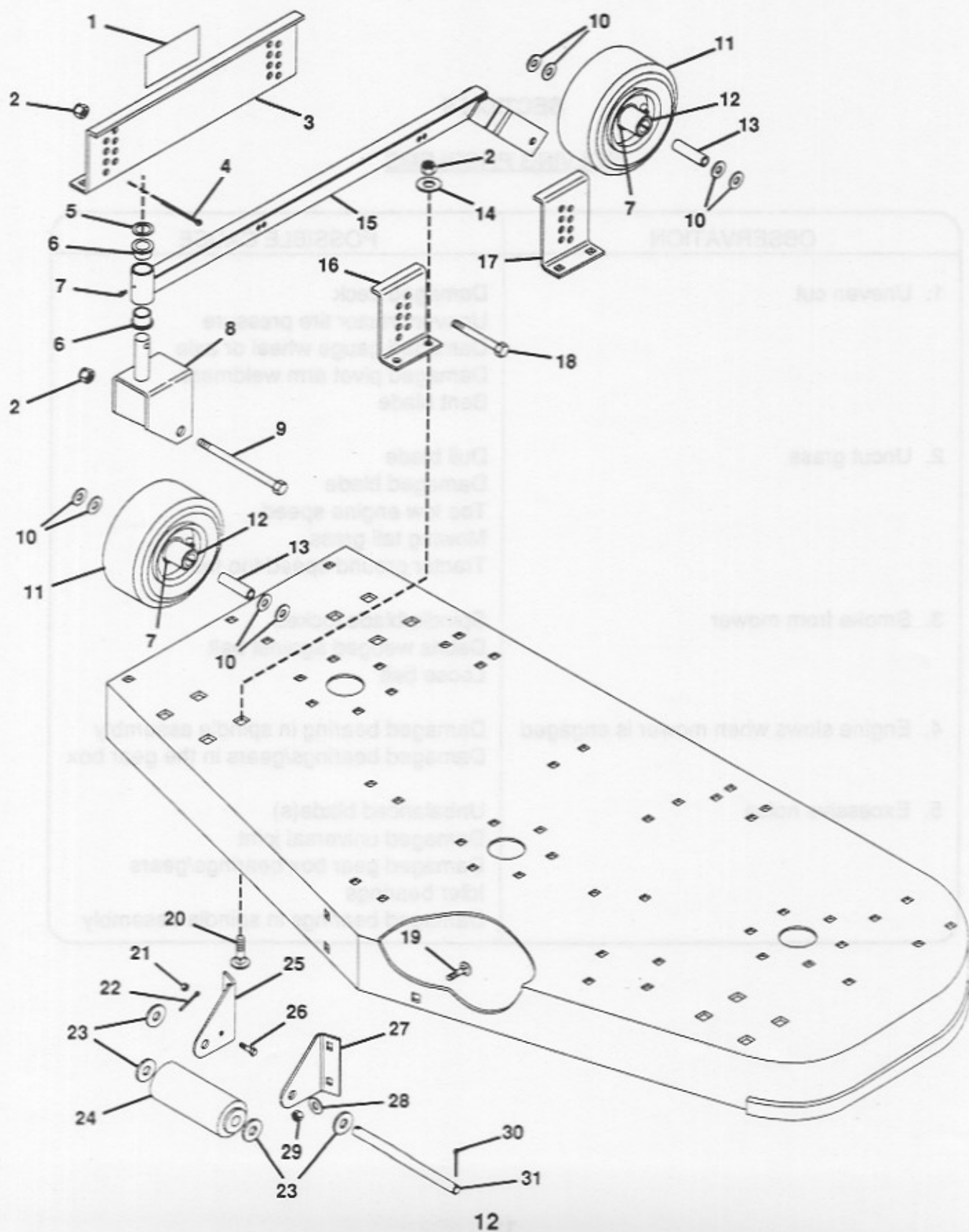
SOLVING PROBLEMS

OBSERVATION	POSSIBLE CAUSE
1. Uneven cut	Damaged deck Uneven tractor tire pressure Damaged gauge wheel or axle Damaged pivot arm weldment Bent blade
2. Uncut grass	Dull blade Damaged blade Too low engine speed Mowing tall grass Tractor ground speed too fast
3. Smoke from mower	Spindle/blade locked Debris wedged against belt Loose belt
4. Engine slows when mower is engaged	Damaged bearing in spindle assembly Damaged bearings/gears in the gear box
5. Excessive noise	Unbalanced blade(s) Damaged universal joint Damaged gear box bearings/gears Idler bearings Damaged bearings in spindle assembly

## SECTION 6

### ILLUSTRATED PARTS AND PARTS LISTS

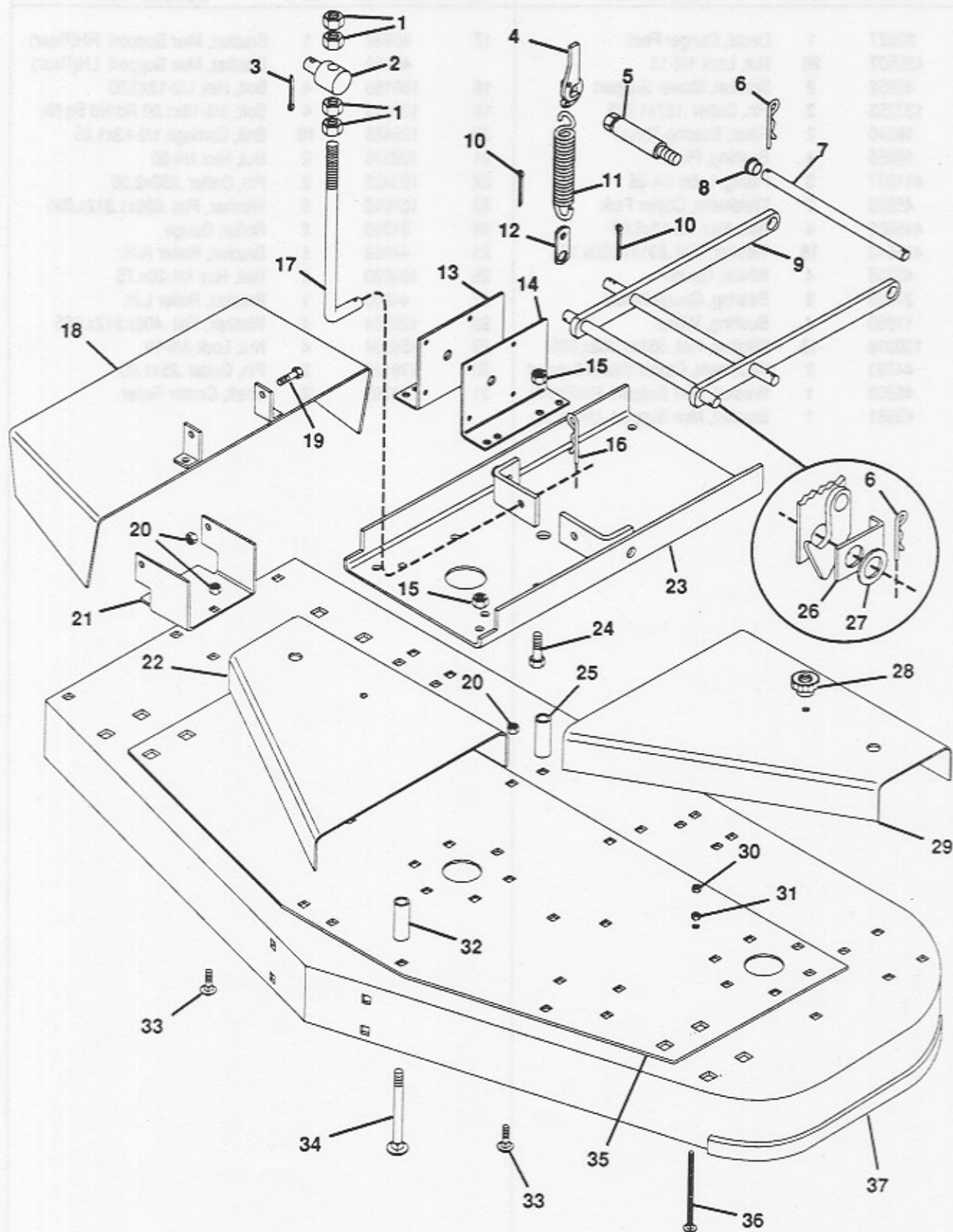
#### Gauge Wheels, Rollers and Height Adjustment



## Gauge Wheels, Rollers and Height Adjustment

ITEM NO.	PART NO.	QTY.	DESCRIPTION	ITEM NO.	PART NO.	QTY.	DESCRIPTION
1	33927	1	Decal, Danger Foot	17	45958	1	Bracket, Mwr Support RH(Rear)
2	435507	26	Nut, Lock 1/2-13		45959	1	Bracket, Mwr Support LH(Rear)
3	45952	2	Bracket, Mower Support	18	180190	4	Bolt, Hex 1/2-13x3.00
4	137253	2	Pin, Cotter .187x1.625	19	120915	4	Bolt, 3/8-16x1.00 Rd Hd Sq Nk
5	19340	2	Race, Bearing Thrust	20	126485	18	Bolt, Carriage 1/2-13x1.25
6	18355	4	Bushing, Pivot	21	120375	2	Nut, Hex 1/4-20
7	411027	3	Fitting, Lube 1/4-28	22	103422	2	Pin, Cotter .250x2.00
8	45523	2	Weldment, Caster Fork	23	131016	8	Washer, Flat .656x1.312x.095
9	445608	4	Bolt, Hex 1/2-13x5.50	24	31390	2	Roller, Gauge
10	415543	16	Washer, Flat .531x1.250x.100	25	44902	1	Bracket, Roller R.H.
11	45205	4	Wheel, Gauge	26	180020	2	Bolt, Hex 1/4-20x.75
12	37823	2	Bearing, Gauge Wheel	27	44903	1	Bracket, Roller L.H.
13	11950	4	Bushing, Wheel	28	120394	4	Washer, Flat .406x.812x.065
14	120396	18	Washer, Flat .531x1.062x.095	29	456004	4	Nut, Lock 3/8-16
15	44793	2	Weldment, Caster Wheel Support	30	179128	2	Pin, Cotter .25x1.00
16	45960	1	Bracket, Mwr Support RH(Front)	31	24795	2	Shaft, Center Roller
	45961	1	Bracket, Mwr Support LH(Front)				

# Mower Deck



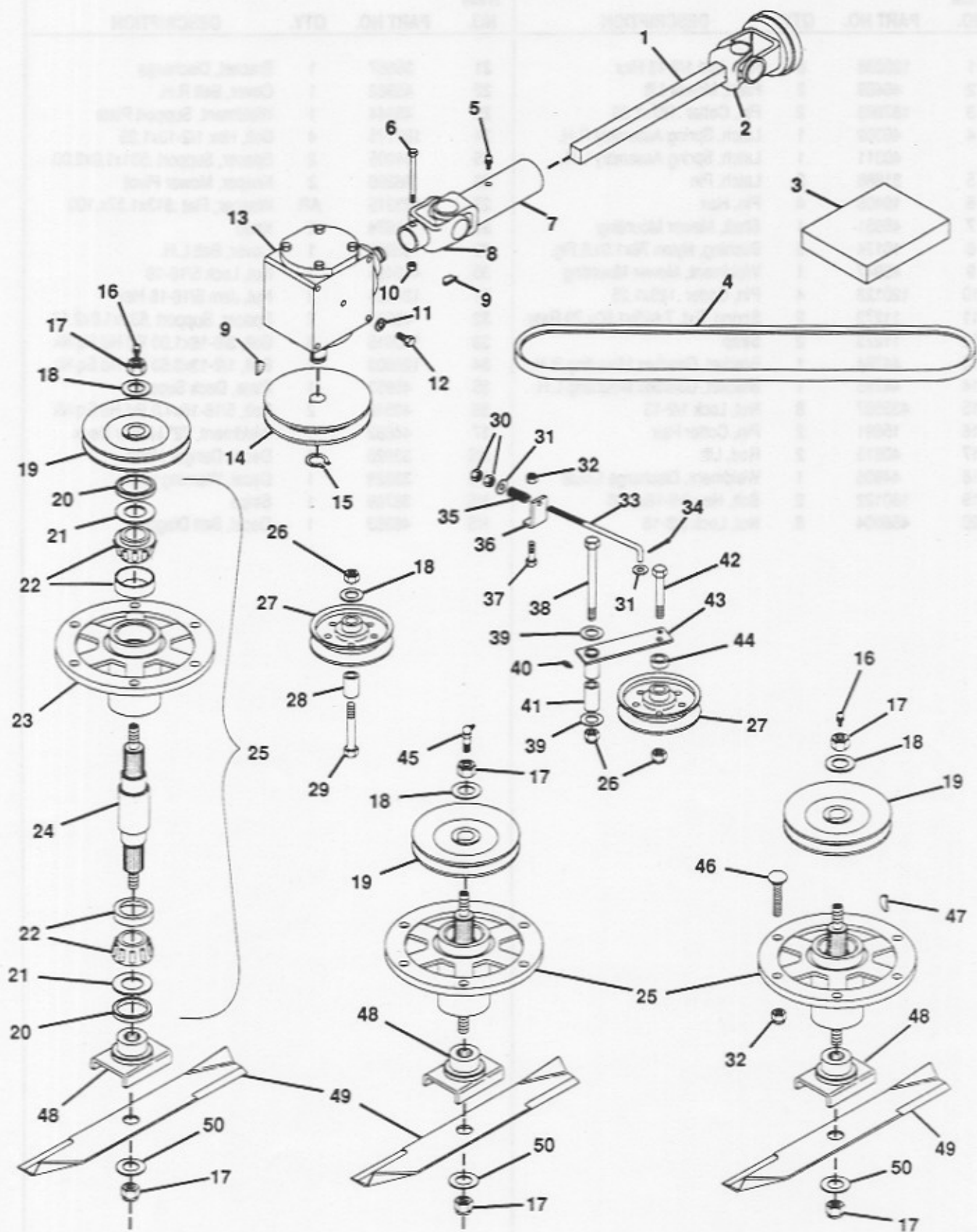


### Mower Deck

ITEM NO.	PART NO.	QTY.	DESCRIPTION	ITEM NO.	PART NO.	QTY.	DESCRIPTION
1	120238	8	Nut, Jam 1/2-13 Hex	21	35667	1	Bracket, Discharge
2	46409	2	Pivot, Mower Lift	22	45962	1	Cover, Belt R.H.
3	187988	2	Pin, Cotter .187x1.25	23	45944	1	Weldment, Support Plate
4	40309	1	Latch, Spring Assembly R.H.	24	180175	4	Bolt, Hex 1/2-13x1.25
	40311	1	Latch, Spring Assembly L.H.	25	44905	2	Spacer, Support .531x1.0x2.00
5	31688	2	Latch, Pin	26	46296	2	Keeper, Mower Pivot
6	10405	4	Pin, Hair	27	423315	AR	Washer, Flat .813x1.37x.100
7	45951	1	Shaft, Mower Mounting	28	41674	2	Knob
8	10174	2	Bushing, Nylon 76x1.0x.6 Fig.	29	45963	1	Cover, Belt L.H.
9	45947	1	Weldment, Mower Mounting	30	419455	2	Nut, Lock 5/16-18
10	120123	4	Pin, Cotter .125x1.25	31	124824	2	Nut, Jam 5/16-18 Hex
11	11272	2	Spring, Ext. 7.625x1.50x.70 Rate	32	46035	2	Spacer, Support .531x1.0x2.18
12	11273	2	Strap	33	120915	6	Bolt, 3/8-16x1.00 Rd Hd Sq Nk
13	44784	1	Bracket, Gearbox Mounting R.H.	34	126803	4	Bolt, 1/2-13x3.50 Rd Hd Sq Nk
14	44785	1	Bracket, Gearbox Mounting L.H.	35	45953	1	Plate, Deck Support
15	435507	8	Nut, Lock 1/2-13	36	40546	2	Bolt, 5/16-16x4.0 Rd Hd Sq Nk
16	15691	2	Pin, Cotter Hair	37	44682	1	Weldment, 72" Mower Deck
17	40815	2	Rod, Lift	NS	33926	1	Decal, Danger Hand
18	44906	1	Weldment, Discharge Chute	NS	33928	1	Decal, Warning Eye
19	180122	2	Bolt, Hex 3/8-16x1.00	NS	38769	1	Stripe
20	456004	8	Nut, Lock 3/8-16	NS	46263	1	Decal, Belt Diagram



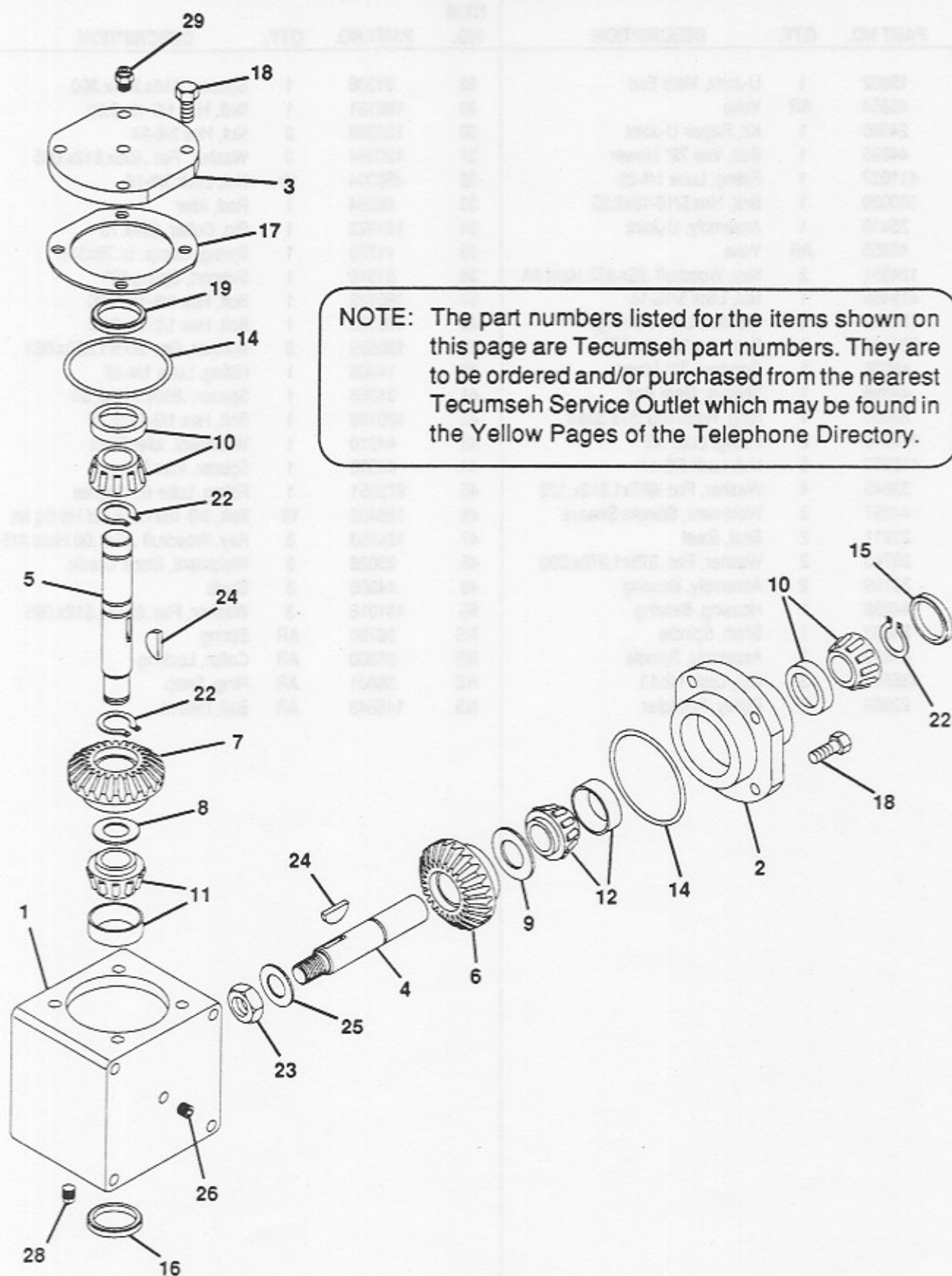
# Mower Drive



### Mower Drive

ITEM NO.	PART NO.	QTY.	DESCRIPTION	ITEM NO.	PART NO.	QTY.	DESCRIPTION
1	15802	1	U-Joint, Male End	28	31368	1	Spacer, .516x.875x.300
2	45954	AR	Yoke	29	180181	1	Bolt, Hex 1/2-13x2.00
3	24560	1	Kit, Repair U-Joint	30	120369	2	Nut, Hex 3/8-24
4	44895	1	Belt, Vee 72" Mower	31	120394	2	Washer, Flat .406x.812x.065
5	411027	1	Fitting, Lube 1/4-28	32	456004	19	Nut, Lock 3/8-16
6	180089	1	Bolt, Hex 5/16-18x2.25	33	46264	1	Rod, Idler
7	35418	1	Assembly, U-Joint	34	121222	1	Pin, Cotter .094x.75
8	45955	AR	Yoke	35	11779	1	Spring, Comp. 1x.78x338
9	124551	2	Key, Woodruff .25x.875 Hard #A	36	31346	1	Support, Spring "B"
10	419455	1	Nut, Lock 5/16-18	37	180122	1	Bolt, Hex 3/8-16x1.00
11	120382	8	Washer, Lock 3/8 Reg.	38	180193	1	Bolt, Hex 1/2-13x3.75
12	180121	8	Bolt, Hex 3/8-16x.875	39	120389	2	Washer, Flat .500x1.250x.083
13	46036	1	Gearbox, 72" Mower	40	14406	1	Fitting, Lube 1/4-28
14	44896	1	Sheave, Gear Box	41	31363	1	Spacer, .850x.546x2.50
15	22080	1	Ring, Retaining .875 Shaft	42	180188	1	Bolt, Hex 1/2-13x2.75
16	411010	2	Fitting, Lube 1/8	43	44910	1	Weldment, Idler Pivot
17	418692	6	Nut, Lock 5/8-11	44	44909	1	Spacer, Idler Pulley
18	33845	4	Washer, Flat .687x1.312x.122	45	273351	1	Fitting, Lube 65 Degree
19	44897	3	Weldment, Spindle Sheave	46	126406	18	Bolt, 3/8-16x1.375 Rd Hd Sq Nk
20	21211	2	Seal, Steel	47	124553	3	Key, Woodruff .25x1.00 Hard #15
21	20743	2	Washer, Flat .975x1.970x.030	48	23026	3	Weldment, Blade Cradle
22	38199	2	Assembly, Bearing	49	44908	3	Blade
23	44898	1	Housing, Bearing	50	131016	3	Washer, Flat .656x1.312x.095
24	34603	1	Shaft, Spindle	NS	36799	AR	Spring
25	44899	3	Assembly, Spindle	NS	36800	AR	Collar, Locking
26	435507	3	Nut, Lock 1/2-13	NS	36801	AR	Ring, Snap
27	22063	2	Pulley, Flat Idler	NS	145643	AR	Ball, Detent

# Gearbox



NOTE: The part numbers listed for the items shown on this page are Tecumseh part numbers. They are to be ordered and/or purchased from the nearest Tecumseh Service Outlet which may be found in the Yellow Pages of the Telephone Directory.

## Gearbox

TECUMSEH PRODUCTS COMPANY  
ENGINE AND TRANSMISSION GROUP  
SERVICE DIVISION  
GRAFTON, WISCONSIN

RIGHT ANGLE DRIVE MODEL NO. 1100-129

REF. NO.	PART NUMBER	PART NAME	QTY. REQ.
1	770076	Housing, Right angle drive	1
2	786104A	Cap, Retainer	1
3	786106	Cap, Retainer	1
4	776281	Shaft, Input (5.38" long)	1
5	776280	Shaft, Output (7.656" long)	1
6	778169	Gear, Bevel (27 teeth)	1
7	778173	Gear, Bevel (18 teeth)	1
8	780131	Shim (1-1/2" O.D. x 1-1/64" I.D. x .002 thick) (Use as required)	1
9	780138	Shim (2.000" O.D. x 1.531" I.D. x .002 thick) (Use as required)	1
10	780132	Bearing & Cup Assy. (This assembly may have a shim washer included. The shim washer is not required at this location.)	2
11	780132	Bearing & Cup Assy. (This is a factory sized assembly and may or may not include Ref. No. 8 shim washer. If Ref. No. 8 shim washer is supplied, it MUST be used in this location. All old shim washers MUST be discarded.)	1
12	780134	Bearing & Cup Assy. (This is a factory sized assembly and may or may not include Ref. No. 9 shim washer. If Ref. No. 9 shim washer is included, it MUST be used in this location. All old shim washers MUST be discarded.)	1
14	788063	"O" Ring	2
15	788064	Seal, Oil	1
16	788065	Seal, Oil	1
17	780136	Shim, Cap retainer	1
18	792037	Screw, Hex, hd. sems, 5/16-18 x 1	8
19	780137	Ring, Load	1
22	792113	Ring, Retaining	3
23	792110	Jam Nut, 3/4-16	1
24	792114	Key, Woodruff	2
25	792115	Washer, Flat	1
26	792116	Plug, Pipe, 1/4-18	2
28	792039	Plug, Pipe, 1/8-27	2
29	792118	Valve, Relief	1



**SECTION 7**  
**SPECIFICATIONS**

Width of Cut: 72 in. (1829mm)

Heights of Cut:

<u>Position</u>	<u>Height of cut</u>
1	1.0 inches (25.4mm)
2	1.5 inches (38.1mm)
3	2.0 inches (50.8mm)
4	2.5 inches (63.5mm)
5	3.0 inches (76.2mm)
6	3.5 inches (88.9mm)
7	4.0 inches (101.6mm)
8	4.5 inches (114.3mm)

Mower Deck Construction: 10-gauge welded and bolted steel construction with a 3/16 in. (4.8 mm) thick reinforcing support plate

Blades: Number 3  
Description 24-1/2 in. (622 mm) long; 1/4 in. (6.4 mm) thick high lift, heat-treated alloy steel

Spindle Assemblies: 1 in. (25 mm) diameter spindle shafts, turning on tapered roller bearings, mounted in cast-iron spindle housings

Discharge: Right side, folding discharge chute

Drive: Telescoping universal joint from PTO to right angle, cast iron gearbox with bevel gears and tapered roller bearings. The three spindles are driven by one spring-tensioned "B" section V-belt.



SECTION 8  
SET-UP INSTRUCTIONS

- 8.1 Remove the mower from the shipping container. Block the mower approximately six inches above the floor.
- 8.2 If needed, loosen the bolts which retain the mower hangers enough to set the center wheel support assemblies between the hangers. See Figure 2.
- 8.3 Set the right center wheel support (the one with the stop) on the right side and the remaining assembly on the left.
- 8.4 Tighten the bolts which retain the mower hangers.

8.5 Move the center wheel support assemblies to the lowest height of cut position. Retain with two bolts each.

Tires:	Size Pressure Description	9x3.50-4 35-40 PSI (241-276 KN/m <sup>2</sup> ) pneumatic with 3/4 in. (19mm) ball bearings and grease fittings.
Weight:		495 lbs. (224.5 kg)
Length:		50.5 in. (1016mm)
Width:	Chute Down Chute Up	83.9 in. (2131mm) 76.5 in. (1943mm)
Height:		14.6 in. (371mm)

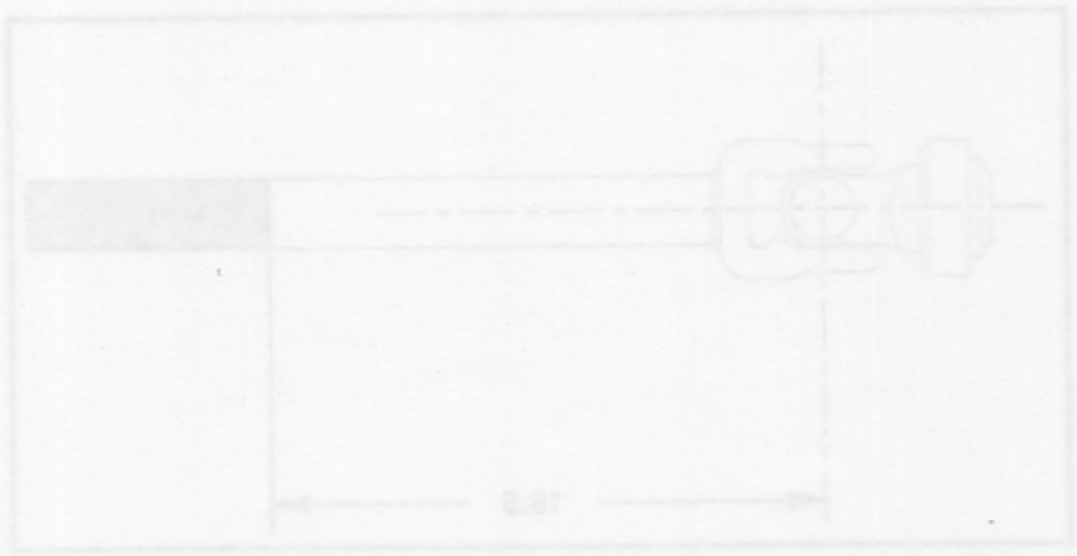


DIAGRAM 2

## SECTION 8

### SET-UP INSTRUCTIONS

- 8.1 Remove the mower from the shipping container. Block the mower approximately six inches above the floor.
- 8.2 If needed, loosen the bolts which retain the mower hangers enough to set the caster wheel support assemblies between the hangers. See Figure 3.
- 8.3 Set the right caster wheel support (the one with the stripe) on the right side and the remaining assembly on the left.
- 8.4 Tighten the bolts which retain the mower hangers.
- 8.5 Move the caster wheel support assemblies to the lowest height of cut position. Retain with two bolts each.
- 8.6 Service the mower as described in Section 3.
- 8.7 Put a jam nut on the lift rod until it is 5" to 5.1" from the bottom of the lift rod. Jam a second jam nut against the first nut. See Diagram 2.
- 8.8 Cut off the prop shaft as shown in Diagram 3.
- 8.9 Adjust the tire pressure in the gauge wheels to 35 to 40 psi (240 to 276 kN/m<sup>2</sup>).
- 8.10 See Section 3.6 for mower installation.

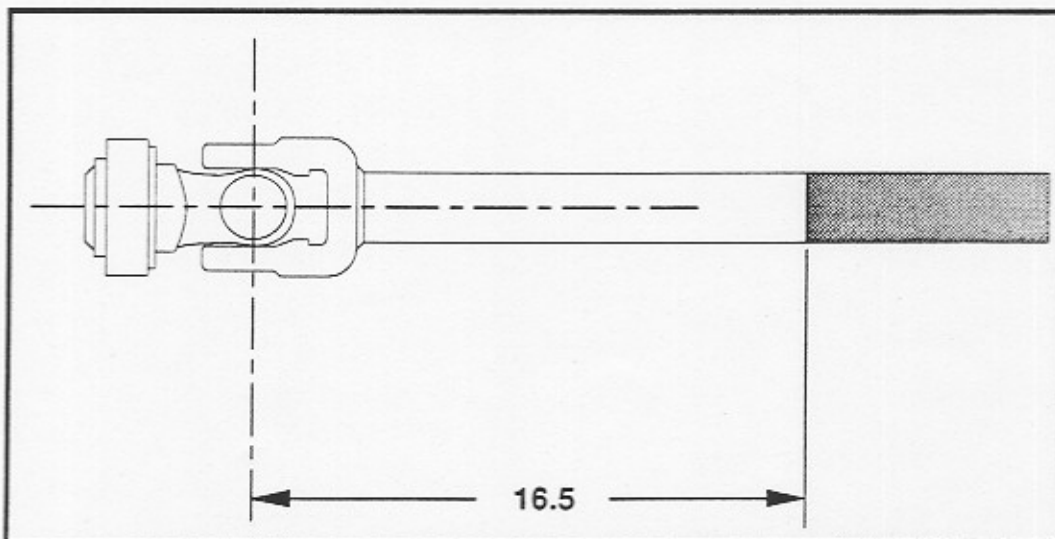


DIAGRAM 3

## SECTION 9

### LIMITED FIVE-YEAR WARRANTY

1. This Limited Five-Year Warranty is issued by Gravelly International, Inc., only to the original purchaser. If Gravelly equipment is leased by Gravelly, this Warranty shall extend also to the original lessee as if such lessee were the original purchaser.
2. Gravelly warrants that all new equipment manufactured by Gravelly ("Gravelly Products") shall be free of defects in material and workmanship for the term described in paragraph 4, below. Except as hereinafter provided, this Warranty does not cover any engine, tires or battery forming a part of the Gravelly Product. Engine and tires are covered by and subject to separate warranties of the manufacturers thereof.
3. In the event that any Gravelly Product warranted hereunder shall be defective or fail to conform with this Warranty, Gravelly shall, subject to the provisions hereof, pay for, or provide labor and materials for, the repair or replacement of such defective Gravelly Product.
4. This Warranty is for five years (60 months) from purchase date for Gravelly Products used exclusively for personal, family or household purposes, and two years (24 months) for products used for other purposes (commercial use), excluding rental firms. Gravelly products used for rental purposes will be warranted for 90 days. Repair of Gravelly Products after the second year (24 months from date of purchase) shall be subject to a \$50.00 deductible for each repair. (After two years, Gravelly agrees to repair or replace defective Gravelly Products used exclusively for personal, family or household purposes only to the extent that the cost of such warranty covered repair or replacement exceeds \$50.00.)

Batteries are warranted by Gravelly for a period of twelve (12) months only. If a battery shall fail within twelve (12) months of purchase, the replacement cost thereof shall be prorated over a twelve-month term based upon the number of months since purchase.
5. To obtain Warranty Service on a Gravelly Product (including any battery or other component not manufactured by Gravelly), use this procedure:
  - a. Notify the Gravelly dealer from whom you purchased the equipment.
  - b. If you have moved and it is not convenient to notify the selling dealer, notify the nearest Gravelly dealer. You should supply this dealer with a copy of the bill of sale as proof of the date of purchase.
  - c. Make arrangements to have the equipment delivered to the dealer (refer to paragraph 6 a., below).
  - d. If you have any questions concerning the Gravelly Limited Warranty, they should be referred to:

Gravelly International, Inc.  
One Gravelly Lane  
Clemmons, NC 27012  
Attn: Customer Service Department
  - e. Warranty Service on Gravelly Products must be performed by an authorized Gravelly dealer.
6. This Warranty does not cover the following:
  - a. Transportation to the Gravelly dealership. (If the Gravelly dealer provides transportation, he will charge for such service.)
  - b. Normal maintenance services and normal replacement of items such as spark plugs, belts, oil, oil filters, air filters, and mower, plow or cultivator blades, gauge wheels, skids and other wear items.
  - c. Any Gravelly Product which has been altered or modified in any way.
  - d. Any repair or replacement occasioned by customer neglect or lack of proper maintenance. (The purchaser is responsible for making sure that Gravelly Products are operated and serviced as directed in the applicable manual or service instruction. Incorrect use or maintenance will void this Warranty.)
  - e. Any repair occasioned by the use of any attachment not approved by Gravelly. (The use of any such unapproved attachment will void this Warranty.)
7. GRAVELLY MAKES NO OTHER EXPRESSED OR IMPLIED WARRANTIES, OR WARRANTIES AS TO THE MERCHANTABILITY OR FITNESS FOR A PARTICULAR PURPOSE. ALL WARRANTIES ARE LIMITED IN DURATION TO THE TERMS SET OUT IN PARAGRAPH 4, ABOVE. GRAVELLY SHALL HAVE NO LIABILITY FOR INCIDENTAL OR CONSEQUENTIAL DAMAGES RESULTING FROM THE BREACH OF ANY WARRANTY, INCLUDING, BUT NOT LIMITED TO, LIABILITY FOR INCONVENIENCE, RENTAL OR PURCHASE OF REPLACEMENT EQUIPMENT, OR FOR LOSS OF PROFITS OR OTHER COMMERCIAL LOSS.
8. Some states do not allow limitations on how long an implied warranty lasts, so the above statement may not apply to you. Some states do not allow the exclusion or limitation of incidental or consequential damages, so the above limitation or exclusion may not apply to you.
9. This Warranty gives you specific legal rights, and you may have other rights which vary from state to state.
10. A Gravelly product registration card is supplied with each Gravelly Product. Please complete the card and return it to Gravelly at the address listed on the card. The equipment registration card will be used by Gravelly for:
  - a. Recording date of purchase.
  - b. Notification of owners in compliance with the Consumer Product Safety Act, should any notification be necessary.The return of such card is necessary for your warranty to be effective.
11. This Warranty is not subject to change or modification by anyone, including Gravelly dealers and no Gravelly dealer is authorized to make any representations or promises on Gravelly's behalf.

 **GRAVELLY**

One Gravelly Lane, Clemmons, NC 27012